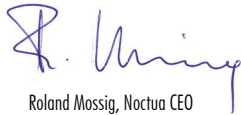




Dear customer,

Congratulations on choosing a Noctua cooler for your LGA115x system. We always like to think of our coolers as safe long-term investments: Not only are they built to last, we also provide upgrade kits so that you can keep using your trusty Noctua heatsink when you do a system upgrade. Enjoy your Noctua cooler on LGA115x!

Yours sincerely,



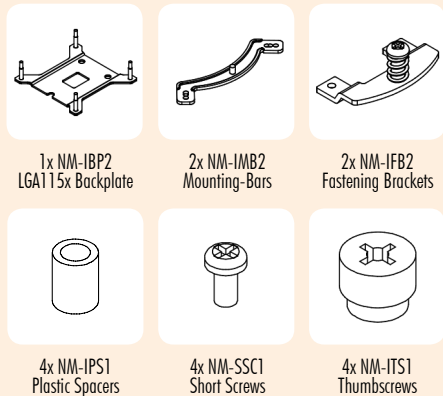
Roland Mossig, Noctua CEO

This SecuFirm2™ Mounting-Kit for LGA115x is compatible with the following CPU coolers: NH-C12P, NH-C12P SE14, NH-C14, NH-D14, NH-D14 SE2011, NH-L12, NH-U12, NH-U12F, NH-U12P, NH-U12P SE1366, NH-U12P SE2, NH-U9, NH-9F, NH-U9B, NH-U9B SE2.

This manual will guide you through the installation process step by step using an NH-U12P heatsink as an example. Please note that the installation procedure is identical for all models.

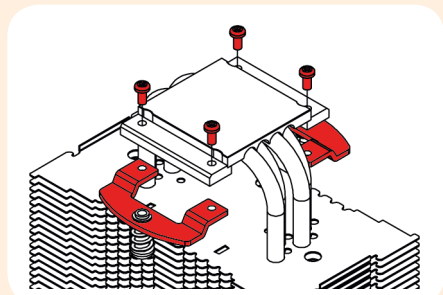
Should you encounter any difficulties, please check the FAQs on our website and don't hesitate to contact our support team at support@noctua.at. Noctua cannot be held responsible for any damage or losses caused by compatibility issues. Multilingual versions of this manual are available on our website: www.noctua.at/manuals.

Required mounting parts:



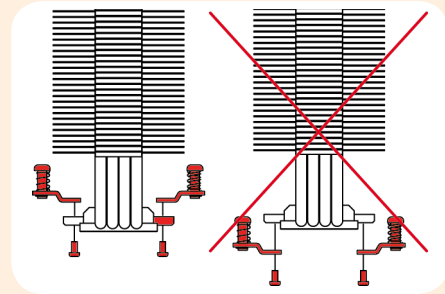
Step 1 Fixing the fastening-brackets to the cooler

First take off the original fastening-brackets from the cooler by unscrewing the four screws.



Then fix the new NM-IFB2 fastening brackets to the cooler (you can either use the original screws or the supplied NM-SSC1 screws).

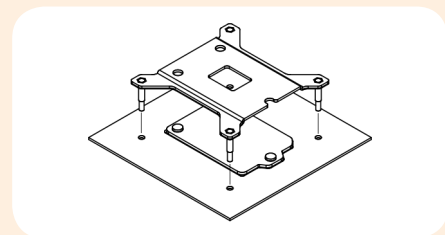
Caution: Make sure to install the fastening brackets in the correct position:



Step 2 Removing the mainboard

In case you want to use the cooler on an assembled system and your case doesn't have a cut-out at the rear side of the mainboard tray, you first have to remove the mainboard from the case in order to be able to install the supplied backplate.

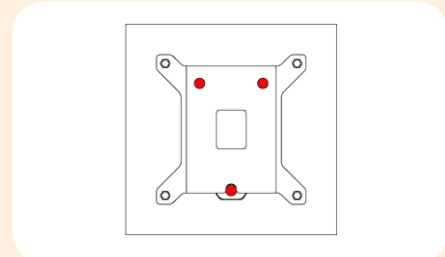
Step 3 Attaching the backplate



Caution: The supplied backplate will install over the mainboard's stock backplate, so the mainboard's stock backplate must not be taken off.

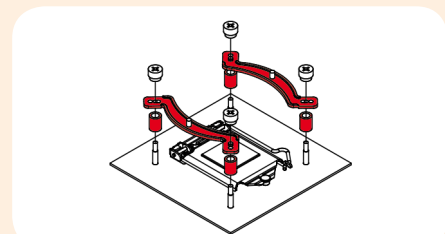
Place the backplate on the rear side of the mainboard so that the bolts stick through the mounting holes.

Caution: Please make sure that the three cut-outs in the supplied backplate align with the screws of the mainboard's stock backplate.

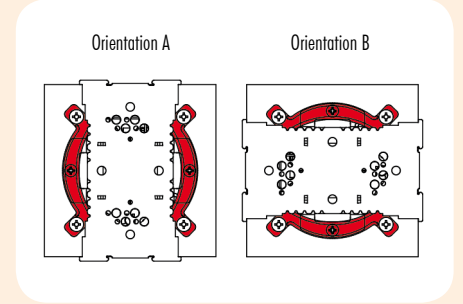


Step 4 Attaching the backplate

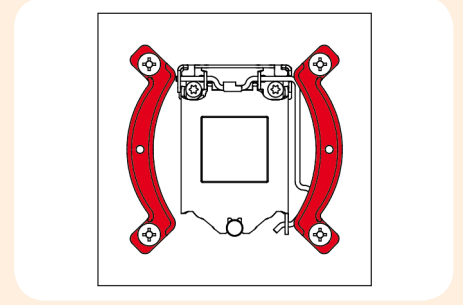
First put the plastic spacers onto the bolts of the backplate, then add the mounting bars. Use the centre holes of the mounting bars.



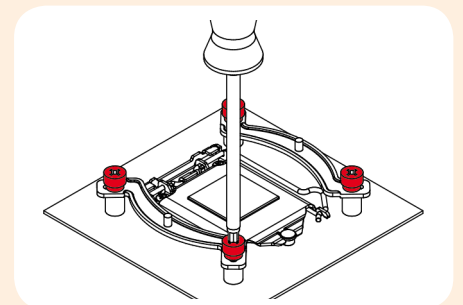
Caution: Choose the alignment of the mounting bars according to the desired final orientation of the cooler:



Caution: Make sure that the curved sides of the mounting bars are pointing outwards.



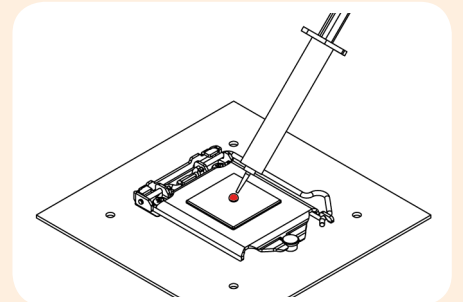
Fix the mounting bars using the 4 thumb screws.



Caution: Gently tighten the screws until they stop, but don't use excessive force.

Step 5 Applying thermal paste

If there are residual traces of thermal paste or thermal pads on your CPU on the base of the heatsink, please clean them off first. Then press a small drop (4-5mm diameter) of thermal compound (e.g. Noctua NT-H1) onto the centre of the heatspreader.



Caution: Applying too much thermal paste will lower heat conductivity and cooling performance!

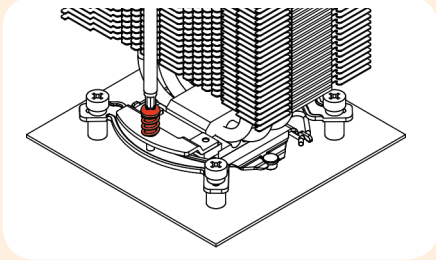


Step 6

Fastening the heatsink to the CPU

Caution: If you're using the cooler for the first time, please take off the protection cover at the bottom side of the heatsink first!

Put the heatsink onto the CPU and screw it to the screw threads of the mounting bars.



Caution: Tighten the screws until they stop.

Step 7:

Installing the fan

Install the fan as described in the manual that came with the cooler.

Warranty, Support and FAQs

Even with high-grade products and strict quality control, the possibility of defects cannot be eliminated entirely. Therefore, we aim at providing the highest possible level of reliability and convenience by offering a warranty period of 6 years and direct, fast and straightforward RMA service.

Should you encounter any problems with your Noctua product, please don't hesitate to contact our support team (support@noctua.at).